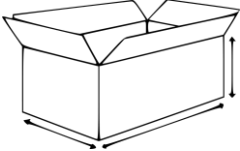


Product specification		Product name: STORK's NEST seat SLIM 100 cm black Article no.: 2PR05-06A2.99
use: residential	PR	maximum weight load: 50 kg
weight: 3,9 kg		materials: Steel and synthetic material
all colors palette: ●		
box quantity (pcs): 1 box weight: 4 kg box dimensions: 74 x 40 x 10		pallet standard: euro pallet quantity (pcs): 50 pallet weight: 220 kg pallet dimensions: 120 x 80 x 175
		