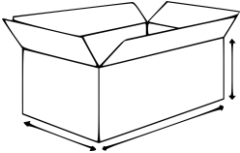


Product specification		Product name: Rubber swing seat with ropes and metal insert Article no.: 2PR01-03B1.XX
use: residential	PR	maximum weight load: 50 kg
weight: 2,8 kg		materials: EPDM
all colors palette: ● ● ●		
box quantity (pcs): 6 box weight: 17 kg box dimensions: 46 x 20 x 24		pallet standard: euro pallet quantity (pcs): 216 pallet weight: 690 kg pallet dimensions: 120 x 80 x 150
		